

NuTone®

BUILT-IN CENTRAL CLEANING SYSTEM



HOMEOWNER'S OPERATING INSTRUCTIONS

For Power Unit Models
VX475, VX550, VX1000, VX475C, VX550C, and VX1000C

Broan-NuTone LLC
Hartford, Wisconsin
www.nutone.com
888-336-3948

To register this product, visit www.nutone.com



Part No. 30042318 rev. G

IMPORTANT SAFETY INSTRUCTIONS

SAVE THESE INSTRUCTIONS

READ ALL INSTRUCTIONS BEFORE USING THIS APPLIANCE

FOR HOUSEHOLD USE ONLY.

When using an electrical appliance, basic precautions should always be followed, including the following:

WARNING

To reduce the risk of fire, electric shock, or injury:

- Do not use on wet surfaces or outdoors.
- Do not allow to be used as a toy. Close attention is necessary when used by or near children.
- Use only as described in this manual. Use only manufacturer's recommended attachments.

CAUTION

On vacuum models VX475, VX550 and VX1000, DO NOT REMOVE either of the **BOTTOM red cap plugs. Removing these glued plugs will damage the unit. Only remove and use the outlets covered by the green **TOP** plugs. For VX475C, VX550C & VX1000C models, DO NOT REMOVE either of the **TOP** red cap plugs that are glued to the unit. Removing these glued plugs will damage the unit. Only remove and use the outlets covered by the green **BOTTOM** plugs.**

- Do not put any object into openings. Do not use with any opening blocked; keep free of dust, lint, hair, and anything that may reduce air flow.
- Keep hair, loose clothing, fingers and all parts of body away from openings and moving parts.
- Do not pick up anything that is burning or smoking, such as cigarettes, matches, or hot ashes.
- Do not use without dustbag or filter in place, depending on the model.
- Do not use to blow leaves or debris.
- Do not vacuum liquids or fine powders (such as drywall dust).
- Do not put any object on the unit.
- Ensure air flows freely to both side intake vents and exhausts unobstructed from top outlet.
- Do not install the unit horizontally.
- Do not use the pail as a wash bucket.
- Do not use the pail as a stool.
- Turn off all controls before unplugging.
- Use extra care when cleaning on stairs.
- Avoid picking up sharp objects.
- Do not use to pick up flammable or combustible liquids such as gasoline or use in areas where they may be present.
- Do not use with damaged cord or plug. If appliance is not working as it should, if it has been dropped, damaged, left outdoors, or dropped into water, return it to a service center.
- Do not unplug the unit by pulling on cord. To unplug, grasp the plug, not the cord.
- Do not handle plug or appliance with wet hands.
- Connect to a properly grounded outlet only. See grounding instructions shown on page 11.
- Any servicing other than that recommended in this manual should be performed by an authorized service facility.
- We recommend that your unit be inspected by a specialized technician once a year.

OPERATION

The power unit is located away from the everyday living areas of your home—usually in the garage, basement, or utility room. Through a network of strong, lightweight tubing, the power unit connects to inlets strategically placed throughout your home. To clean, attach cleaning tools to the system's hose and insert the hose into an inlet. The system is turned on by a power switch on the hose. As you vacuum, dirt and dust are transported to the power unit where they remain in a debris pail (depending on model type) until emptied.

- This device has been evaluated by the appropriate listing agencies and is intended for household use only.

WARNING

To avoid electric shock, never use hose and tools on a wet surface. To avoid fire hazard, do not use vacuum to pick up matches, fireplace ashes, or smoking material.

The system status indicator light(s) on the front of the power unit indicate that the power unit is ready for use. Under normal operation, the light(s) will be green. **(A red light on VX550, VX550C, VX1000 & VX1000C indicates a need to empty pail. See next page for instructions.)**

When you are ready to clean, attach the wand and cleaning tool onto the end of the hose. Open the inlet cover and insert the end of the hose into the inlet.

For non-switched hoses, inserting the hose automatically turns on the power unit; removing the hose shuts off the power unit. Some hoses have switches which can be used to activate power unit.

NOTE: The inlet located on the power unit does not automatically work when the hose is inserted. To turn on the power unit inlet, use the rocker switch located on the side of the power unit.

Use the cleaning tools as you would for any other vacuum cleaner. Avoid picking up pine needles, popsicle sticks and other similar objects. These kinds of objects may become lodged in the hose or tubing.

VACUUM POWER CONTROL

The wand ends of the deluxe hoses are equipped with a control ring to regulate suction. The control ring covers a “bleeder” hole. Open the hole to reduce the suction for cleaning draperies, small rugs, and other light fabrics. Some very thick, plush carpets with high density yarns also require reduced suction to make the nozzle easier to push. Be sure to close the control ring completely over the hole to produce the maximum power required for most other cleaning tasks. (The economy hose does not have a control ring.)

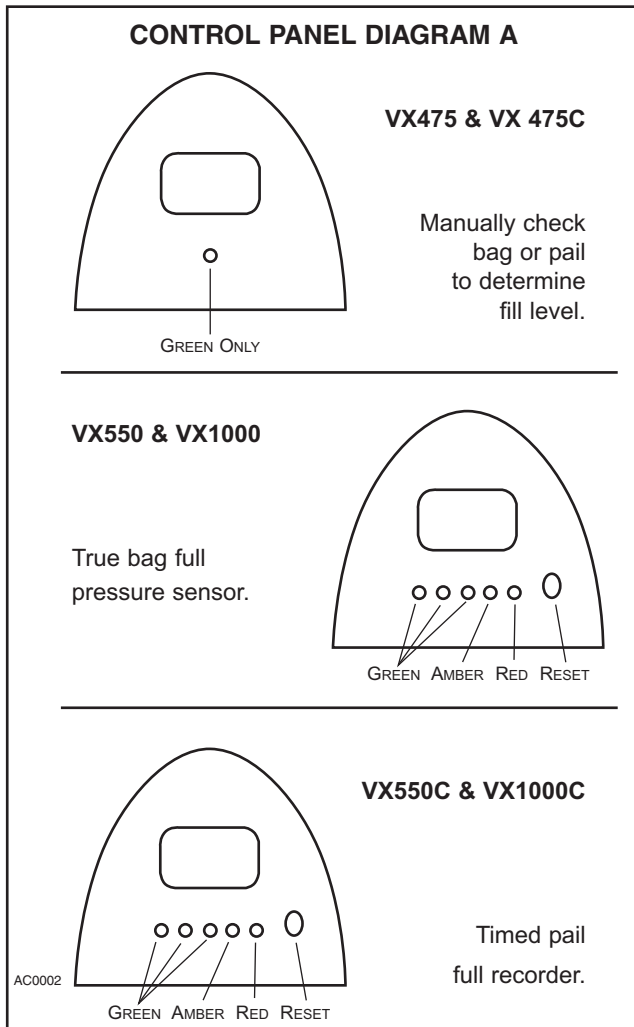
WHEN TO CHANGE BAG OR EMPTY DEBRIS PAIL

The VX475 and VX475C have a single indicator light that remains green. This indicates that power is on and that the unit is ready to operate. The level of bag fill for the VX475 can be determined by opening the direct door access and checking the bag. The level of bucket fill for the VX475C can be determined by either viewing through the window on the pail or releasing the carry handles and checking the level of debris in the pail.

The VX550, VX550C, VX1000 & VX1000C all have the LED indicator that shows the status of the level of debris in the bag (VX550 & VX1000) or pail (VX550C & VX1000C). The first three lights remain green as the bag or bucket fills. The fourth light is amber and will come on to alert you that the bag or bucket is nearly full. For the VX550 & VX1000 bagged units, your power unit is equipped with sensors which detect when your bag is completely full.

WHEN TO CHANGE BAG OR EMPTY DEBRIS PAIL (CONT'D)

When this occurs, the unit will automatically turn off and the red light will come on. Follow the instructions for changing the bag and resetting the unit. When the fifth light turns red it is time to replace the bag or empty the bucket (CONTROL PANEL DIAGRAM A).



BAG REPLACEMENT (Models VX475, VX550, VX1000)

Under normal conditions the bag requires changing approximately twice a year.

When the amber light on front of the VX550 or VX1000 power unit illuminates, it indicates that the soil bag has been in use for 24 hours, and should be changed. Red light can illuminate at any time indicating bag is full. When the red light illuminates, it is absolutely necessary to change the bag. Red light will turn off motor on bagged units, preventing premature bag burst. If your installation uses indicating inlets or indication hoses, the light on the interior faceplate of the inlet will also have changed to amber at this time as a reminder to change the bag in the power unit. Follow directions below to change the bag. Once you have changed the bag and replaced the dirt receptacle, press the reset button on the control panel. The first green light on the light indicator will come on.

If you have been vacuuming large quantities of pet hair, etc., you may need to replace your bag more frequently. If you notice a loss of vacuum prior to the light changing to amber, check your soil bag and replace as needed. If changing the bag does not correct the loss of vacuum, see Troubleshooting Guide section on pages 8-9.

REMOVING A FULL BAG

1. Open the door on front of unit (FIGURE 1).
2. Lower bag holder by grasping tab and pulling out and down (FIGURE 2). Holder will drop into bag removal position (FIGURE 3).
3. Grasp top cardboard section of the old bag and slide bag out approximately halfway until it detaches (FIGURE 4). The dust trap at top of bag will automatically engage to prevent any dust from escaping from bag. Slide bag down and in and allow it to fall into debris pail (FIGURE 5).
4. Release both handles on each side of the unit by pulling them out and pushing up. (FIGURE 6). Holding the pail by the handles, lower it from unit.
5. Carry pail to trash receptacle and dispose of empty bag (FIGURE 7).



FIGURE 1



FIGURE 2



FIGURE 3



FIGURE 4



FIGURE 5



FIGURE 6

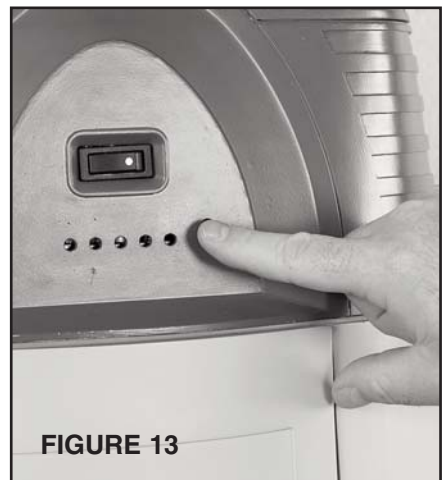
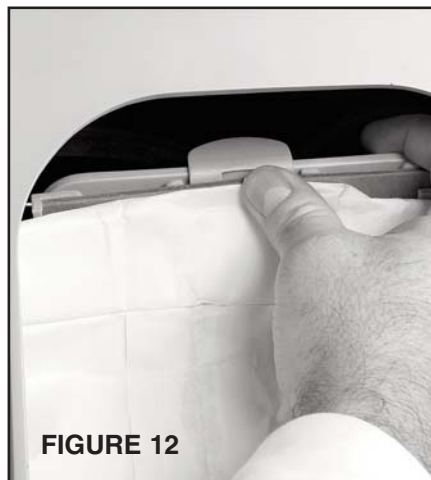


FIGURE 7

INSTALLING A NEW BAG

1. Open bag out at pleats and drop into detached pail (FIGURE 8).
2. Reattach bucket to unit using the handles.
3. Open the direct door and make sure bag holder is in down position (FIGURE 9).
4. Reach bag through door access and slide cardboard tab on to bag holder (FIGURE 10). Bag is fully engaged when front edge of cardboard and holder are aligned flush (FIGURE 11).
5. Lift holder back into place, bag will lock into place automatically (FIGURE 12).
6. Close door and push *Reset* button on control panel. Light on unit will change back to green on the VX550 & VX1000 (FIGURE 13).

Replacement bags may be purchased from your local NuTone Sales Outlet. For a NuTone Sales Outlet near you, call toll free 1-800-543-8687 or visit www.nutone.com and click on Dealer Locator tab.



EMPTYING THE DEBRIS PAIL (VX475C, VX550C & VX1000C)

Your power unit has a permanent filter that is self cleaning under normal conditions. The filter protects the motor and stops small dirt particles from escaping to the outside of the power unit. The filter cleans itself by moving up when the power unit starts, and dropping down when the unit is turned off. The filter can be removed by means of a pull-tab for cleaning if desired. Be sure to reinstall properly. Correct placement is critical to insure proper protection for the motor.

1. Release both carry handles on side of the unit by pulling out and then pushing up. (FIGURE 14). Holding the pail by the handles, lower it from unit (FIGURE 15).
2. Carry pail to trash receptacle and empty.
3. Reattach pail using handles.
4. Close door and push *Reset* button on control panel. Light on control panel will change to green on the VX550 & VX1000.



CLEANING THE INTERNAL FILTER

When emptying the debris bucket, it is recommended to clear any dust and dirt that may have accumulated on the internal filter media. Simply open the direct door, reach in and tap the top of the internal filter (FIGURE 16). This will release any loose debris into the pail. You may empty the pail again at this point but it is not necessary as any amounts of dirt and dust will be minimal.



Utility valve (circled in FIGURE 15), next to power unit, can be used to service area around where power unit is installed.

TROUBLESHOOTING GUIDE

Read before calling Service Center

Trouble	Possible Cause
1. Loss or decrease of vacuum occurs.	1a. Disposable filter bag or debris bucket are completely full.
	1b. Obstruction in the hose. A blockage in the hose can be determined by inserting the hose into any wall inlet and, while power unit is running, check each additional inlet for normal suction by holding the palm of your hand over the open inlet. If normal suction is felt at all other inlets, insert the hose into a second inlet. If the blockage still exists it is located in the hose. However, if the blockage does not occur when the hose is changed, the blockage is probably located in the tubing system leading to the original inlet.
	1c. Obstruction in the tubing system inside the walls.
	1d. Wall inlet cover not properly sealed.
	1e. Exhaust tubing or vent clogged.
2. Power unit does not start, or shuts off during normal operation with no LED showing red or illuminated.	2a. Defective inlet. Check other wall inlets.
	2b. Thermoprotector has been activated OR there is a tripped circuit breaker on the unit.
	2c. Blown fuse or tripped circuit breaker on house electrical panel.
	2d. Defective hose.
	2e. NOTE: This would apply only to the VX550 & VX1000: microprocessor lockup.
	2f. Low-line voltage.
3. Power unit fails to stop when the hose is removed.	3a. An electrical short in the low voltage control line.
4. Power unit shuts off during normal operation, lights on unit, wall valve and hose are all red.	4a. Bag full sensing has been activated. Disposable bag is completely full.
5. For VX550 & VX1000 Series. All lights on control panel flash when unit is first plugged in.	5a. Low-line voltage.



Possible Remedy

1a. Remove disposable filter bag or empty debris bucket as described in pages 3-4 and install replacement.

1b. Insert handle end of hose into utility valve at power unit. Turn unit on. This will reverse normal air flow through the hose and dislodge any clogs.

1c. Insert hose end into any inlet with power unit running, place the palm of your hand over the opposite end of the hose. When you can feel the suction increase, hold your hand over the hose end for a few seconds and then quickly remove your hand. This procedure repeated several time should clear the obstruction. If the blockage is not cleared, contact your nearest Service Center.

1d. Check all wall inlet covers to be sure they are closed and sealed tightly.

1e. Inspect and remove any blockages.

2a. Replace defective wall inlet.

2b. Turn unit off for 20 minutes then plug unit back in. If unit does not start, look for the tripped circuit breaker behind the unit, a white button has popped up, push it back to reset it. If circuit breaker trips again, unplug your unit and contact your local Service Center.

2c. Replace fuse or reset circuit breaker on wall panel.

2d. Replace hose as required.

2e. 1) Push *Reset* button while unit is engaged OR
2) Unplug unit completely for 60 seconds.

2f. Contact your local Service Center.

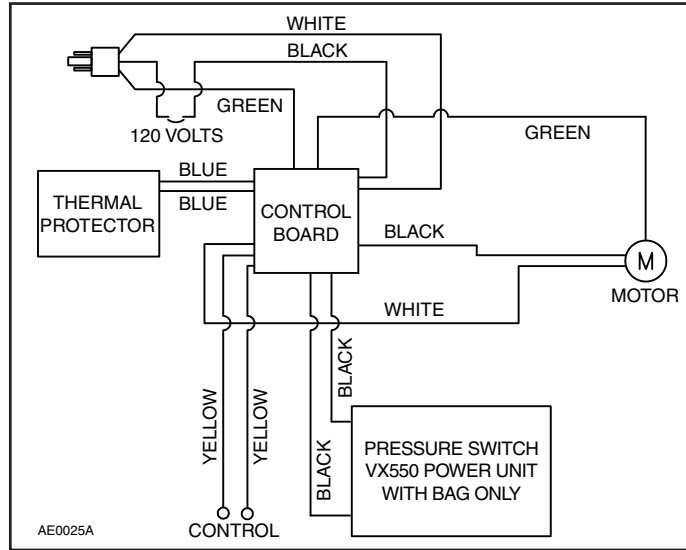
3a. A complete check of all wall inlets and power unit low voltage control lead connections. Contact your local authorized Service Center.

4a. Change filter bag. Be sure to push the bag full *Reset* button located on the front of the unit.

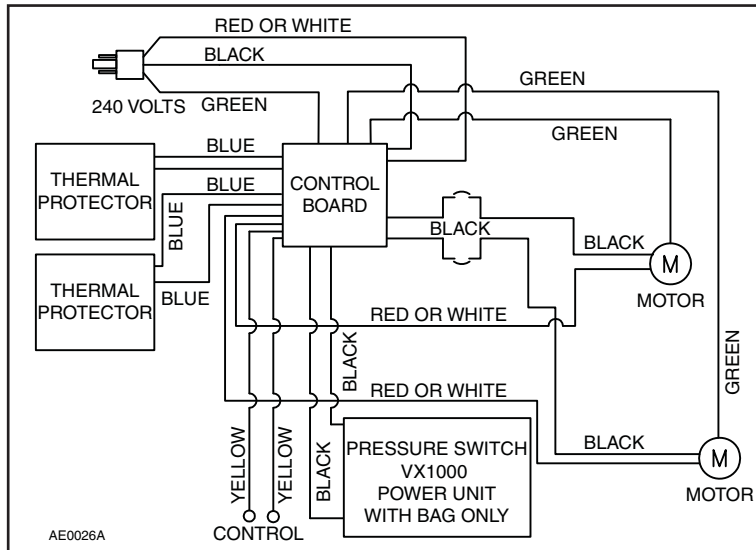
5a. Contact your local authorized Service Center.

WIRING DIAGRAMS

WIRING DIAGRAM VX475, VX475C, VX550, VX550C



WIRING DIAGRAM VX1000, VX1000C



GROUNDING INSTRUCTIONS

WIRING

This section refers to Figure 17 and 18.

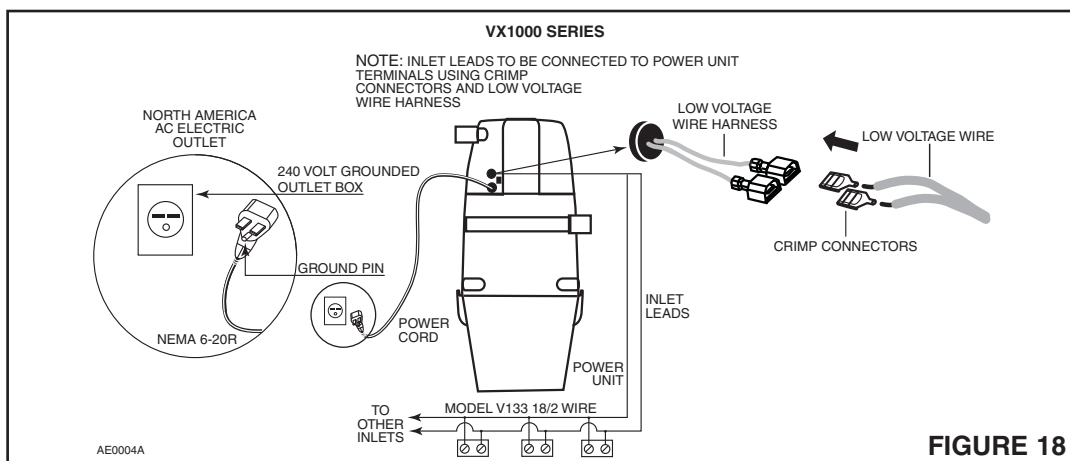
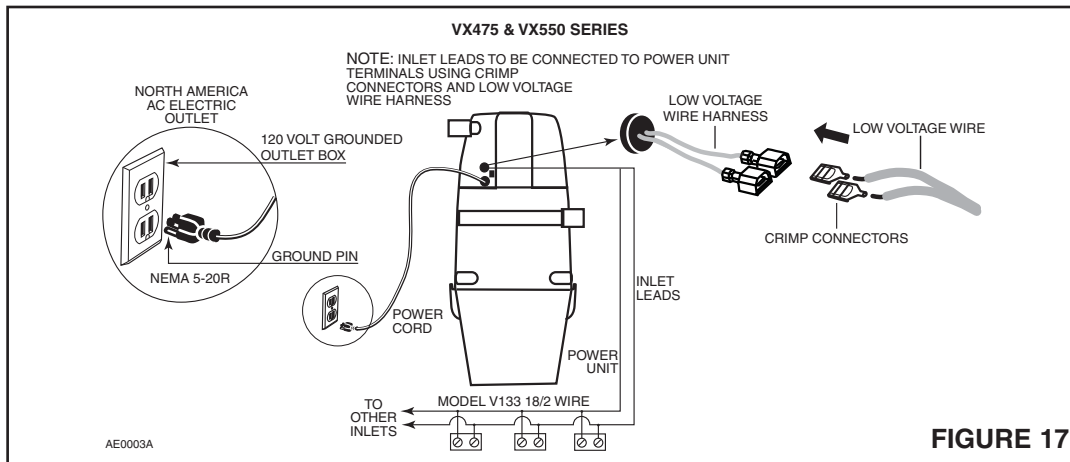
This appliance must be grounded. If it should malfunction or break down, grounding provides a path of least resistance for electric current, to reduce the risk of electric shock. This appliance is equipped with a cord having an equipment-grounding conductor and grounding plug. The plug must be plugged into an appropriate outlet that is properly installed and grounded in accordance with all local codes and ordinances.

⚠ WARNING

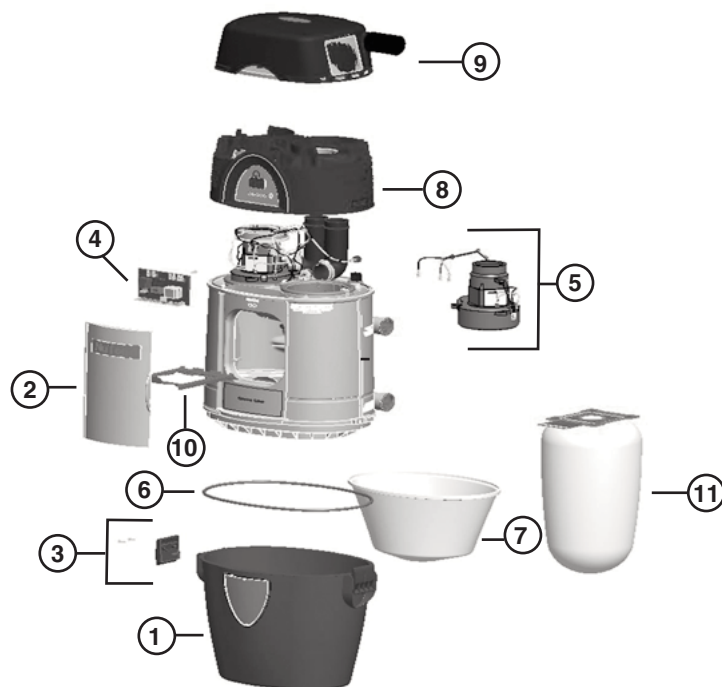
Improper connection of the equipment-grounding conductor can result in a risk of electric shock. Check with a qualified electrician or service person if you are in doubt as to whether the outlet is properly grounded. Do not modify the plug provided with the appliance—if it will not fit the outlet, have a proper outlet installed by a qualified electrician.

This appliance is for use on a standard 120 V a.c., individual 15-amp branch circuit with a NEMA 5-15R receptacle for VX475 and VX550 models. For VX1000 models a nominal 240 V a.c., individual 20-amp branch circuit with NEMA 6-20R receptacle is required. Make sure that the appliance is connected to an outlet and has a grounding attachment plug that looks like the plug shown in either Figure 17 or 18, depending on model.

No adapter should be used with this appliance.



ILLUSTRATED PARTS LIST



Key No.	Part No.	Description	VX475	VX550	VX1000	VX475C	VX550C	VX1000C
1	10941189	Pail assembly VS	X			X		
	10941191	Pail assembly TS		X	X		X	X
2	10941190	Door assembly	X	X	X	X	X	X
3	10941199	Latch kit (with screws)	X	X	X	X	X	X
4	10941232	VS PCB's assembly (including mother, daughter and screws)*	X			X		
	10941233	TS1 PCB's assembly (including mother, daughter and screws)*		X			X	
	10941195	TS2 PCB's assembly (including mother, daughter and screws)*			X			X
5	10941235	VS motor with motor harness, fuse with fuse harness and circuit breaker*	X			X		
	10941236	TS1 motor with motor harness, fuse with fuse harness and circuit breaker*		X			X	
	10941231	TS2 motor with motor harness, fuse with fuse harness and circuit breaker*			X			X
6	30100528	Pail gasket TS		X	X		X	X
	30100527	Pail gasket VS	X			X		
7	30010272	Cyclonic filter VS				X		
	30010270	Cyclonic filter TS					X	X
8	10941215	Motor Chamber VS with foam and logo*	X			X		
	10941216	Motor Chamber TS with foam and logo*		X	X		X	X
9	10941212	Top cap VS with logo	X			X		
	10941214	Top cap TS with logo		X	X		X	X
10	30111112	Mount bag plate	X	X	X			
11	VX3918	Filter bag ass'y TS (3 per pack)		X	X			
	VX3916	Filter bag ass'y VS	X					

NOTE: Order service parts by "Part No." - not by "Key No."

*This part MUST be removed and installed by a qualified technician.

For Models VX475 & VX475C

NuTone

Two-Year Limited Warranty

WARRANTY OWNER: NuTone warrants to the original consumer purchaser of its products that such products will be free from defects in materials and workmanship for a period of two (2) years from the date of original purchase. **THERE ARE NO OTHER WARRANTIES, EXPRESSED OR IMPLIED, INCLUDING, BUT NOT LIMITED TO, IMPLIED WARRANTIES OF MERCHANTABILITY OR FITNESS FOR A PARTICULAR PURPOSE.**

During this time period, NuTone will, at its option, repair or replace without charge, any product or part which is found to be defective under normal use and service. **THIS WARRANTY DOES NOT EXTEND TO FLUORESCENT LAMP STARTERS OR TUBES, FILTERS, DUCT, ROOF CAPS, WALL CAPS AND OTHER ACCESSORIES FOR DUCTING.** This warranty does not cover (a) normal maintenance and service or (b) any products or parts which have been subject to misuse, negligence, accident, improper maintenance or repair (other than by NuTone), faulty installation or installation contrary to recommended installation instructions.

The duration of any implied warranty is limited to the two-year period as specified for the express warranty. Some states do not allow limitation on how long an implied warranty lasts, so the above limitation may not apply to you.

NU TONE'S OBLIGATION TO REPAIR OR REPLACE, AT NU TONE'S OPTION, SHALL BE THE PURCHASER'S SOLE AND EXCLUSIVE REMEDY UNDER THIS WARRANTY. NU TONE SHALL NOT BE LIABLE FOR INCIDENTAL, CONSEQUENTIAL OR SPECIAL DAMAGES ARISING OUT OF OR IN CONNECTION WITH PRODUCT USE OR PERFORMANCE. Some states do not allow the exclusion or limitation of incidental or consequential damages, so the above limitation or exclusion may not apply to you. This warranty gives you specific legal rights, and you may also have other rights, which vary from state to state. This warranty supersedes all prior warranties.

WARRANTY SERVICE: To qualify for warranty service, you must (a) notify NuTone at the address stated below or telephone 1-800-543-8687, (b) give the model number and part identification and (c) describe the nature of any defect in the product or part. At the time of requesting warranty service, you must present evidence of the original purchase date.

Date of Installation _____ Builder or Installer _____

Model Number and Product Description _____

IF YOU NEED ASSISTANCE OR SERVICE: For the location of your nearest NuTone Independent Authorized Service Center: _____

Rev. 06/2009

Residents of the contiguous United States Dial Free: 1-800-543-8687

Please be prepared to provide: Product model number • Date and proof of purchase • The nature of the difficulty

Residents of Alaska or Hawaii should write to: NuTone Inc. Attn: Department of National Field Service, 926 West State Street, Hartford, WI 53027

For Models VX550 & VX550C

NuTone

Four-Year Limited Warranty

WARRANTY OWNER: NuTone warrants to the original consumer purchaser of its products that such products will be free from defects in materials and workmanship for a period of four (4) years from the date of original purchase. **THERE ARE NO OTHER WARRANTIES, EXPRESSED OR IMPLIED, INCLUDING, BUT NOT LIMITED TO, IMPLIED WARRANTIES OF MERCHANTABILITY OR FITNESS FOR A PARTICULAR PURPOSE.**

During this time period, NuTone will, at its option, repair or replace without charge, any product or part which is found to be defective under normal use and service. **THIS WARRANTY DOES NOT EXTEND TO FLUORESCENT LAMP STARTERS OR TUBES, FILTERS, DUCT, ROOF CAPS, WALL CAPS AND OTHER ACCESSORIES FOR DUCTING.** This warranty does not cover (a) normal maintenance and service or (b) any products or parts which have been subject to misuse, negligence, accident, improper maintenance or repair (other than by NuTone), faulty installation or installation contrary to recommended installation instructions.

The duration of any implied warranty is limited to the four-year period as specified for the express warranty. Some states do not allow limitation on how long an implied warranty lasts, so the above limitation may not apply to you.

NU TONE'S OBLIGATION TO REPAIR OR REPLACE, AT NU TONE'S OPTION, SHALL BE THE PURCHASER'S SOLE AND EXCLUSIVE REMEDY UNDER THIS WARRANTY. NU TONE SHALL NOT BE LIABLE FOR INCIDENTAL, CONSEQUENTIAL OR SPECIAL DAMAGES ARISING OUT OF OR IN CONNECTION WITH PRODUCT USE OR PERFORMANCE. Some states do not allow the exclusion or limitation of incidental or consequential damages, so the above limitation or exclusion may not apply to you. This warranty gives you specific legal rights, and you may also have other rights, which vary from state to state. This warranty supersedes all prior warranties.

WARRANTY SERVICE: To qualify for warranty service, you must (a) notify NuTone at the address stated below or telephone 1-800-543-8687, (b) give the model number and part identification and (c) describe the nature of any defect in the product or part. At the time of requesting warranty service, you must present evidence of the original purchase date.

Date of Installation _____ Builder or Installer _____

Model Number and Product Description _____

IF YOU NEED ASSISTANCE OR SERVICE: For the location of your nearest NuTone Independent Authorized Service Center: _____

Rev. 06/2009

Residents of the contiguous United States Dial Free: 1-800-543-8687

Please be prepared to provide: Product model number • Date and proof of purchase • The nature of the difficulty

Residents of Alaska or Hawaii should write to: NuTone Inc. Attn: Department of National Field Service, 926 West State Street, Hartford, WI 53027

For Models VX1000 & VX1000C

NuTone

Eight-Year Limited Warranty

WARRANTY OWNER: NuTone warrants to the original consumer purchaser of its products that such products will be free from defects in materials and workmanship for a period of eight (8) years from the date of original purchase. **THERE ARE NO OTHER WARRANTIES, EXPRESSED OR IMPLIED, INCLUDING, BUT NOT LIMITED TO, IMPLIED WARRANTIES OF MERCHANTABILITY OR FITNESS FOR A PARTICULAR PURPOSE.**

During this time period, NuTone will, at its option, repair or replace, without charge, any product or part which is found to be defective under normal use and service. **THIS WARRANTY DOES NOT EXTEND TO FLUORESCENT LAMP STARTERS OR TUBES, FILTERS, DUCT, ROOF CAPS, WALL CAPS AND OTHER ACCESSORIES FOR DUCTING.** This warranty does not cover (a) normal maintenance and service or (b) any products or parts which have been subject to misuse, negligence, accident, improper maintenance or repair (other than by NuTone), faulty installation or installation contrary to recommended installation instructions.

The duration of any implied warranty is limited to the eight-year period as specified for the express warranty. Some states do not allow limitation on how long an implied warranty lasts, so the above limitation may not apply to you.

NU TONE'S OBLIGATION TO REPAIR OR REPLACE, AT NU TONE'S OPTION, SHALL BE THE PURCHASER'S SOLE AND EXCLUSIVE REMEDY UNDER THIS WARRANTY. NU TONE SHALL NOT BE LIABLE FOR INCIDENTAL, CONSEQUENTIAL OR SPECIAL DAMAGES ARISING OUT OF OR IN CONNECTION WITH PRODUCT USE OR PERFORMANCE. Some states do not allow the exclusion or limitation of incidental or consequential damages, so the above limitation or exclusion may not apply to you. This warranty gives you specific legal rights, and you may also have other rights, which vary from state to state. This warranty supersedes all prior warranties.

WARRANTY SERVICE: To qualify for warranty service, you must (a) notify NuTone at the address stated below or telephone 1-800-543-8687, (b) give the model number and part identification and (c) describe the nature of any defect in the product or part. At the time of requesting warranty service, you must present evidence of the original purchase date.

Date of Installation _____ Builder or Installer _____

Model Number and Product Description _____

IF YOU NEED ASSISTANCE OR SERVICE: For the location of your nearest NuTone independent Authorized Service Center: _____

Rev. 06/2009

Residents of the contiguous United States Dial Free: 1-800-543-8687

Please be prepared to provide: Product model number • Date and proof of purchase • The nature of the difficulty

Residents of Alaska or Hawaii should write to: NuTone Inc. Attn: Department of National Field Service, 926 West State Street, Hartford, WI 53027



NuTone[®]

926 WEST STATE STREET, HARTFORD, WI 53027

WWW.NUTONE.COM

WARRANTY

All VX power units are covered by a NuTone 2, 4, or 8-year warranty. Refer to your model number for which warranty you have. Tools and accessories warranted for 1 year from date of purchase. See page 13 for details.

Product specifications subject to change without notice.

NuTone®

SISTEMA INCORPORADO DE LIMPIEZA CENTRAL



INSTRUCCIONES DE OPERACION PARA LOS PROPIETARIOS

Para modelos de unidades de poder
VX475, VX550, VX1000, VX475, VX475C, VX550C, VX1000C

Broan-NuTone LLC
Hartford, Wisconsin
www.nutone.com
888-336-3948

Para registrar este producto, visite a www.nutone.com

N.º de pieza: 30042318 rev. G

INSTRUCCIONES IMPORTANTES DE SEGURIDAD

GUARDE ESTAS INSTRUCCIONES

LEA TODAS LAS INSTRUCCIONES ANTES DE USAR ESTE DISPOSITIVO

⚠ SOLÓ PARA USO DOMÉSTICO. ⚠

Cuando use un dispositivo eléctrico, siempre deben seguirse algunas precauciones básicas, incluyendo las siguientes:

⚠ ADVERTENCIA

Para reducir el riesgo de fuego, descarga eléctrica, o lesión:

- No lo use en superficies húmedas o al aire libre.
- No permita que lo usen como juguete. Es necesario ser muy precavido cuando es usado por o cerca de niños.
- Use sólo como se describe en este manual. Use solamente los accesorios recomendadas por el fabricante.

PRECAUCIÓN

En los modelos de aspiradores centrales VX475, VX550 y VX1000, NO QUITE los capuchones rojos INFERIORES. Si quita estos capuchones que están pegados, podría dañar el aparato. Quite y utilice sólo las tomas cubiertas con los capuchones verdes SUPERIORES. Para los modelos VX475C, VX550C y VX1000C, NO QUITE los capuchones rojos SUPERIORES que están pegados al aparato. Si trata de quitarlos, podría dañar el aparato. Quite y utilice sólo las tomas cubiertas con los capuchones verdes INFERIORES.

- No coloque ningún objeto en las aperturas. No lo use con apertura bloqueada; manténgalo libre de polvo, pelusa, cabello, y ninguna otra cosa que pueda reducir el flujo de aire.
- Mantenga su cabello, ropa suelta, dedos, y todas las partes del cuerpo lejos de aperturas y partes en movimiento.
- No recoja nada que se esté quemando o humeando, tales como cigarrillos, fósforos, o cenizas calientes.
- No lo use sin su bolsa para polvo o filtro, dependiendo del modelo.
- No debe utilizarse para proyectar aire en las hojas o residuos.
- No aspire líquidos ni polvo fino (como el polvo de los paneles murales).
- No debe ponerse ningún objeto sobre el aparato.
- Compruebe que el aire se desplaza sin obstáculo a ambas tomas de aire exteriores y sale sin dificultad por la parte superior.
- No instale el aparato en posición horizontal.
- No debe utilizarse el balde como balde para lavar.
- No debe utilizarse el balde como taburete.
- Apague todos los controles antes de desenchufarlo.
- Tenga cuidado extra cuando limpie en las escaleras.
- Evite recoger objetos filosos.
- No lo use para recoger ningún líquido inflamable o combustible tal como gasolina o en áreas donde puedan estar presentes.
- No lo use con un cable o enchufe dañado. Si el dispositivo no está trabajando como debería, si ha sido arrojado, dañado, dejado al aire libre, o arrojado en el agua, devuélvalo a un centro de servicio.
- No desenchufe la unidad halando el cable. Para desenchufar, agarre el enchufe, no el cable.
- No maneje el enchufe o dispositivo con las manos húmedas.
- Conéctela solamente a un enchufe que esté apropiadamente conectado en la tierra. Vea las instrucciones de instalación para las instrucciones para conectarlo en la tierra en la página 11.
- Cualquier otra reparación además de las recomendadas en este manual debe llevarse a cabo en una instalación de servicios autorizada.
- Le aconsejamos que un técnico especializado revise su aparato una vez al año.

OPERACIÓN

La unidad de poder está localizada lejos de las áreas de estancia diaria de su hogar – usualmente en el garaje, sótano, o cuarto de utilidades. A través de una red de tuberías fuertes y livianas, la unidad de poder se conecta a las entradas ubicadas estratégicamente en toda su casa. Para limpiarlo, adjunte las herramientas de limpieza a la manguera del sistema e inserte la manguera en una entrada. El sistema se enciende con un interruptor eléctrico en la manguera. Mientras pasa la aspiradora, el sucio y el polvo son transportados a la unidad de poder donde permanece en una bolsa desechable o en un balde para escombros (dependiendo del tipo de modelo) hasta que usted lo vacíe.

- Este dispositivo ha sido evaluado por los organismos de evaluación apropiados y está destinado a uso doméstico.

ADVERTENCIA

Para evitar descargas eléctricas, nunca use la manguera ni sus herramientas en superficies húmedas. Para evitar riesgos de incendios, no use la aspiradora para recoger fósforos, o material humeante.

Las luces indicadoras del estado del sistema en la parte del frente de la unidad de poder nos indican si la unidad de poder está lista para usarse. Bajo funcionamiento normal, la luz(ces) estará(n) verde(s). **(Una luz roja en el VX550, VX550C, VX1000 y VX1000C indica que necesita cambiar la bolsa o vaciar el balde. Vea la siguiente página para instrucciones.)**

Cuando esté listo para limpiar, conecte las varas y las herramientas de limpieza al final de la manguera. Abra la cubierta de la entrada e inserte el final de la manguera en la entrada.

Para las mangueras sin interruptor, insertar la manguera automáticamente enciende la unidad de poder; quitar la manguera apaga la unidad de poder. Algunas mangueras tienen interruptores los cuales pueden ser usados para activar la unidad de poder.

NOTA: La entrada localizada en la unidad de poder no funciona automáticamente cuando se le inserta la manguera. Para encender la entrada de la unidad de poder, use el interruptor localizado en el lado de la unidad de poder.

Use las herramientas de limpieza como lo haría con cualquier otra aspiradora. Evite recoger agujas de pino, palos de mantecados, y otros objetos similares. Estos tipos de objetos pueden atorarse en la manguera o tubos.

CONTROL DE PODER DE LA ASPIRADORA

Los finales de las varas de las mangueras de lujo están equipados con un aro de control para controlar la succión. El aro de control cubre un hoyo “de escape”. Abra el hoyo para reducir la succión y limpiar cortinas, alfombras pequeñas, y otras telas livianas. Algunas alfombras de felpa muy gruesas con hilo de alta densidad también pueden requerir reducciones de succión para hacer que la boquilla sea más fácil de empujar. Asegúrese de cerrar el aro de control completamente sobre el hoyo para producir el máximo poder requerido para la mayoría de las tareas de limpieza. (La anguera económica no tiene un aro de control).

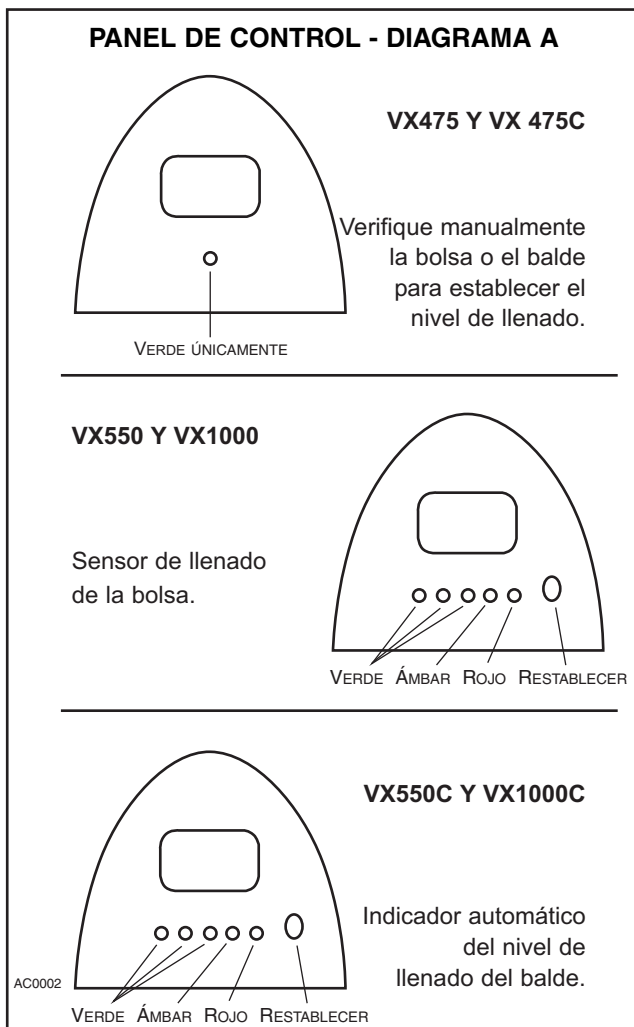
CUANDO SE DEBE CAMBIAR LA BOLSA O VACIAR EL BALDE DE ESCOMBROS

El VX475 y el VX475C tienen una luz indicadora individual que permanece verde. El nivel de relleno de la bolsa para el VX475 puede ser determinado al abrir el acceso directo de la puerta y revisar la bolsa. El nivel de relleno del cubo para el VX475C puede ser determinado al ver por la ventana en el balde o soltando las manijas de carga y revisar el nivel de escombros en el balde.

Cada uno de los modelos VX550, VX550C, VX1000 y VX1000C tienen un indicador LED que muestra el estado del nivel de escombros en la bolsa (VX550 y VX1000) o balde (VX550C y VX1000C). Las primeras tres luces permanecen verdes mientras la bolsa o el balde se llenan. La cuarta luz es ámbar y se encenderá para avisarle que la bolsa o el balde está casi lleno(a). Para las unidades con bolsa VX550 y VX1000, su Unidad de Poder está equipada con sensores, los cuales detectan cuando su bolsa está completamente llena.

CUANDO SE DEBE CAMBIAR LA BOLSA O VACIAR EL BALDE DE ESCOMBROS (CONTINUACIÓN)

Cuando esto ocurre la unidad se apaga automáticamente y se enciende la luz roja. Siga las instrucciones para cambiar la bolsa y reajustar la Unidad. Cuando la quinta luz se ponga roja es tiempo de reemplazar la bolsa o vaciar el balde. (Diagrama A del Panel de Control)



REEMPLAZO DE LA BOLSA (Modelos VX475, VX550, VX1000)

Un filtro desechable extra es proveído con la Unidad de Poder. Bajo condiciones normales la bolsa debe ser cambiada dos veces al año.

Cuando la luz ámbar que está en la parte del frente de la unidad de poder VX550 o VX1000 se enciende quiere decir que la bolsa de suciedad ha sido usada por veinticuatro horas, y debe ser cambiada. El LED rojo puede encenderse en cualquier momento indicando que la bolsa está llena. Cuando la luz roja se encienda es absolutamente necesario cambiar la bolsa. El LED rojo apagará el motor de las Unidades con bolsa, evitando que la bolsa reviente. Si su instalación usa Entradas Indicadoras o Mangueras de Indicación, el LED en el interior de la placa frontal de la entrada también cambiará a ámbar en ese momento para recordarle cambiar la bolsa en la Unidad de Poder. Siga las instrucciones de abajo para cambiar la bolsa. Una vez haya cambiado la bolsa y reemplazado el receptáculo de suciedad, presione el botón de reajustar en el panel de control. La primera luz verde en el indicador LED debe encenderse.

Si usted ha estado recogiendo con la aspiradora grandes cantidades de cabello de su mascota, etc., probablemente necesite cambiar su bolsa con más frecuencia. Si nota una pérdida de aspiración antes de que la luz cambie a ámbar, revise su bolsa para suciedad y cámbiela cuando sea necesario. Si el cambiar la bolsa no corrige la pérdida de aspiración, vea la Guía de Problemas y Soluciones, páginas 8-9.

COMO REMOVER UNA BOLSA LLENA

1. Abra la puerta en el frente de la unidad. (FIGURA 1)
2. Baje el recipiente de la bolsa agarrando la lengüeta y halando hacia fuera y hacia abajo (FIGURA 2). El recipiente se soltará en una posición en la que se puede remover la bolsa (FIGURA 3).
3. Agarre la sección de cartón de arriba de la bolsa anterior y deslice la bolsa hacia fuera aproximadamente hasta la mitad hasta que se separe (FIGURA 4). La trampa para polvo en la parte de arriba de la bolsa se encenderá automáticamente para prevenir que cualquier polvo salga de la bolsa. Deslice la bolsa hacia abajo y hacia adentro y permítala que caiga dentro del balde de escombros (FIGURA 5).
4. Suelte ambas manijas en cada lado de la unidad halándolos hacia afuera y hacia arriba (FIGURA 6). Sostenga el balde por las manijas, bajándolo de la unidad.
5. Cargue el balde al receptáculo de basura y deshágase de la bolsa vacía (FIGURA 7).



FIGURA 1



FIGURA 2



FIGURA 3



FIGURA 4



FIGURA 5



FIGURA 6



FIGURA 7

COMO INSTALAR UNA NUEVA BOLSA

1. Abra la bolsa por los pliegues y póngala en el balde separado (FIGURA 8).
2. Vuelva a atar el cubo a la unidad usando las manijas.
3. Abra la puerta directa y asegúrese de que el recipiente de la bolsa esté en la posición baja (FIGURA 9).
4. Alcance la bolsa a través de la puerta de acceso y deslice la lengüeta de cartón dentro del recipiente de la bolsa (FIGURA 10). La bolsa está completamente puesta cuando el borde del frente de cartón y el recipiente estén encajados (FIGURA 11).
5. Levante el recipiente a su posición inicial, la bolsa se cerrará en su lugar automáticamente (FIGURA 12).
6. Cierre la puerta y presione el botón de reajuste en el panel de control. La luz en la Unidad cambiará a verde en el VX550 y VX1000 (FIGURA 13).

Las bolsas de reemplazo pueden ser co pardas en su Mercado de Ventas NuTone local. Para conseguir el nombre de su Mercado de Ventas NuTone más cercano, llame a NuTone gratuitamente al 1-800-543-8687 o puede ir al Localizador de Comercios en www.nutone.com.



COMO VACIAR EL BALDE DE ESCOMBROS (Modelos VX475C, VX550C y VX1000C)

Su Unidad de Poder tiene un filtro permanente que se limpia por sí mismo bajo condiciones normales. El filtro protege el motor y previene que las partículas pequeñas de tierra se escapen a la parte de afuera de la unidad de poder. El filtro se limpia por sí mismo moviéndolo hacia arriba cuando la Unidad de Poder se enciende, y soltándolo hacia abajo cuando la Unidad está apagada. El filtro puede ser removido para limpieza cuando lo desee, halando la lengüeta. Asegúrese de reinstalarlo apropiadamente. La colocación correcta es crítica para asegurar la protección apropiada para el motor.

1. Suelte ambas manijas de carga en el lado de la unidad halando hacia afuera y luego empujando hacia arriba (FIGURA 14). Sujetando el balde por las manijas, bájelo de la unidad (FIGURA 15).
2. Cargue el balde al receptáculo de basura y vacíelo.
3. Vuelva a adjuntar el balde usando las manijas.
4. Cierre la puerta y presione el botón de reajustar en el Panel de Control. La luz del Panel de Control cambiará a verde en el VX550 y en el VX1000.



LIMPIANDO EL FILTRO INTERNO

Cuando vacíe el cubo de escombros, es buena idea también limpiar cualquier polvo y suciedad que se haya acumulado en los medios del filtro interno. Para hacer esto, simplemente abra la puerta directa, alcance adentro y golpee ligeramente la parte de arriba del filtro interno (FIGURA 16). Esto liberará cualquier escombros sueltos dentro del balde. Puede vaciar de nuevo el balde en este momento pero no es necesario ya que la cantidad de suciedad y polvo será mínima.



La Válvula de Utilidad (Circulada en la FIGURA 15), junto a la Unidad de Poder, puede ser usada para limpiar el área alrededor donde la Unidad de Poder es instalada.

GUIA DE PROBLEMAS Y SOLUCIONES

Lea antes de llamar al Centro de Servicio.

Problema

Posible Causa

1. Ocurre pérdida o disminución de aspiración

1a. La bolsa desechable del filtro o el cubo de escombros está totalmente llena/o.

1b. Hay una obstrucción en la manguera. Un bloqueo en la manguera puede determinarse al insertar la manguera en cualquier Entrada de Pared y, mientras la Unidad de Poder está en funcionamiento, revise cada entrada adicional por succión normal sujetando la palma de su mano sobre la entrada abierta. Si se siente succión normal en todas las otras entradas, inserte la manguera en una segunda entrada. Si aún existe un bloqueo, está localizado en la manguera. Sin embargo, si el bloqueo no ocurre cuando la manguera esta cambiada, el bloqueo probablemente está localizado en el sistema de tubería que se dirige a la entrada original.

1c. Obstrucción en el sistema de tubería dentro de las paredes.

1d. La Cubierta de la Entrada de Pared no está sellada apropiadamente.

1e. Tubería de escape o apertura atascada.

2. La Unidad de Poder no enciende, o se apaga durante operación normal sin ningún LED iluminado o mostrando rojo.

2a. Entrada defectuosa. Revise las otras Entradas de Pared.

2b. Se ha activado el protector térmico O se ha disparado un disyuntor en el aparato.

2c. Fusible fundido o disyuntor disparado en el tablero eléctrico de la caja.

2d. Manguera defectuosa.

2e. **NOTA:** Esto aplica sólo al VX550 y el VX1000: Encerramiento del microprocesador.

2f. Bajo voltaje en la Línea.

2g. El sensor que detecta cuando la bolsa está llena se activó.

3. La Unidad de Poder no se apaga cuando se remueve la manguera.

3a. Un corto circuito ocurrió en algún lugar del sistema.

4. La Unidad de Poder se apaga durante una operación normal, las luces de la Unidad, la Válvula de Pared y la Manguera están rojas.

4a. El cubo de escombros y/o la puerta directa no está cerrado completamente o bien conectado.

5. Para las Series VX550 y VX1000. Todas las Luces del Panel de Control destellan cuando la Unidad es enchufada por primera vez.

5a. Bajo voltaje en la Línea.



Posible Remedio

1a. Remueva la bolsa desechable del filtro o vacíe el cubo de escombros como se describe en las páginas 3-4 y reemplácela.

1b. Inserte la manija de la parte final de la manguera en la válvula de utilidad en la Unidad de Poder. Encienda la Unidad. Esto invertirá el flujo de aire normal a través de la manguera y desaloja cualquier estorbo.

1c. Inserte el final de la manguera en cualquier entrada con la Unidad de Poder encendida, coloque la palma de su mano sobre el extremo opuesto de la manguera. Cuando sienta que la succión aumenta, mantenga su mano sobre el extremo de la manguera por unos segundos y luego quite su mano rápidamente. Este procedimiento repetido varias veces debe despejar la obstrucción. Si el bloqueo no se despeja, contacte a su Centro de Servicio más cercano.

1d. Revise todas las cubiertas de las Entradas de Pared para asegurarse de que están cerradas y selladas fuertemente.

1e. Inspeccione y remueva cualquier bloqueo.

2a. Reemplace la Entrada de Pared defectuosa.

2b. Desenchufe el aparato durante 20 minutos y vuélvalo a enchufar. Si el aparato no se pone en marcha, busque en la parte trasera del aparato el disyuntor que se ha disparado. Verá que un botón blanco sobresale; presione en él para reiniciarlo. Si el disyuntor se dispara de nuevo, desenchufe el aparato y comuníquese con el Centro de Servicio local.

2c. Reemplace el fusible o reajuste el corta circuito en el Panel de Pared.

2d. Reemplace la manguera cuando sea requerido.

2e. 1) Presione el botón de Reajustar mientras la Unidad está encendida O
2) Desenchufe completamente la Unidad por 60 segundos.

2f. Contacte a su Centro de Servicio local.

2g. Remueva y reemplace la bolsa desechable del filtro como se describe en la Guía del Propietario.

3a. Haga una revisión completa de la Entrada de Pared y de las conexiones principales de control de bajo voltaje de la Unidad de Poder. Contacte a su Centro de Servicio local.

4a. Revise y cierre la puerta directa y asegúrese de que las manijas del cubo de escombros están bien cerradas.

5a. Contacte a su Centro de Servicio local.

DIAGRAMAS DE CABLES INTERNOS

DIAGRAMA DE CABLES INTERNOS VX475, VX475C, VX550, VX550C

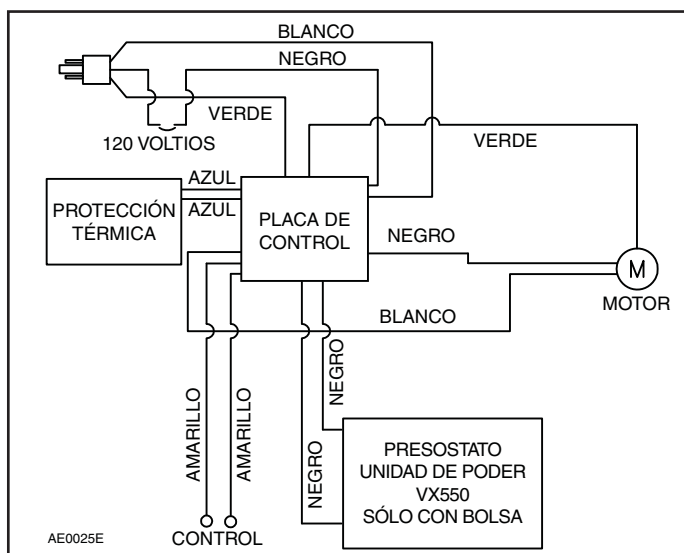
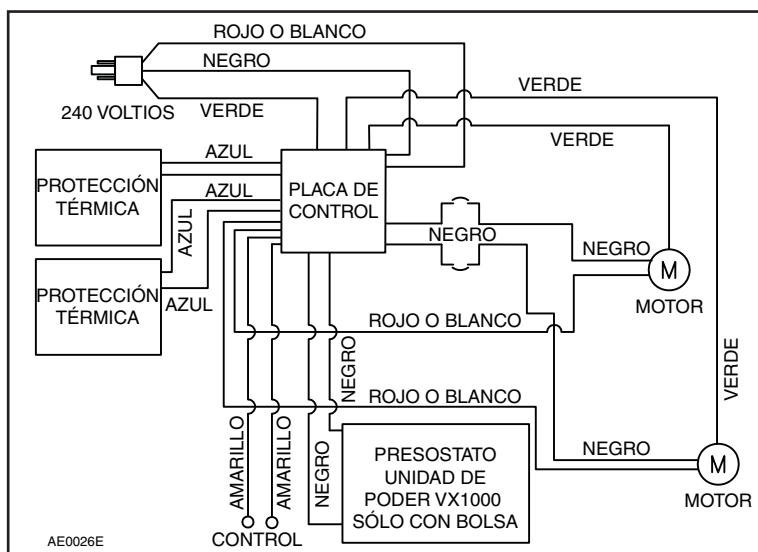


DIAGRAMA DE CABLES INTERNOS VX1000, VX1000C



INSTRUCCIONES DE CONEXIÓN A TIERRA

CABLEADO

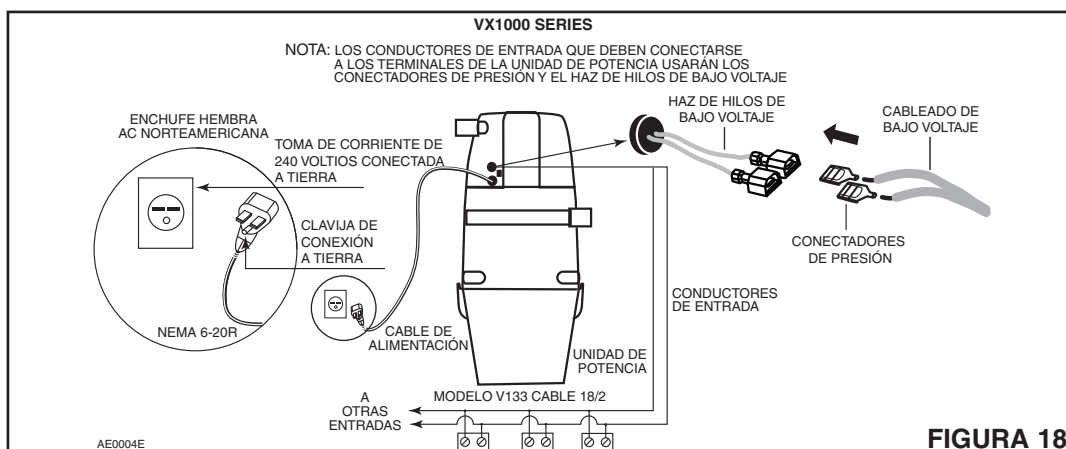
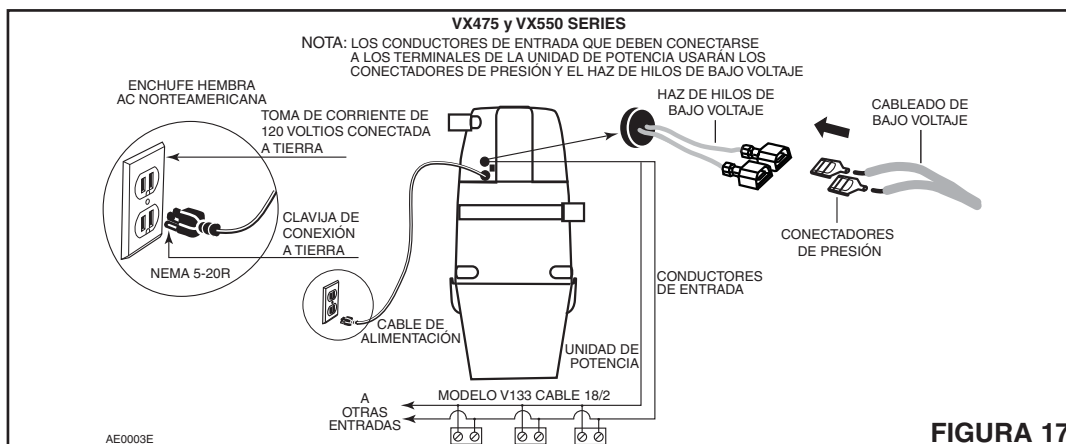
Esta sección hace referencia a las Ilustraciones 17 y 18. Instrucciones de conexión a tierra. Este equipo debe conectarse a tierra. Si se daña o descomponen, la conexión a tierra da una vía de menor resistencia para la corriente y reduce el riesgo de choque eléctrico. Este equipo está provisto de un cordón eléctrico con un conductor de conexión a tierra del equipo y un enchufe macho de conexión a tierra. El enchufe macho debe enchufarse en un enchufe hembra que esté debidamente instalado y conectado a tierra según todos los códigos y ordenanzas locales.

Este equipo es para usarlo en una fuente de potencia estándar de 120 Vac, 15 amperios, para los modelos VX475 y VX550 con un enchufe NEMA 5-15R. Para los modelos VX1000 es necesario un circuito nominal de 240 Vac, 20 amperios, con un enchufe NEMA 6-20R. Asegúrese que el equipo esté conectado a un tomacorriente que tenga el enchufe hembra de conexión a tierra que se ve como el enchufe mostrado en la Ilustración 17 y 18, según el modelo.

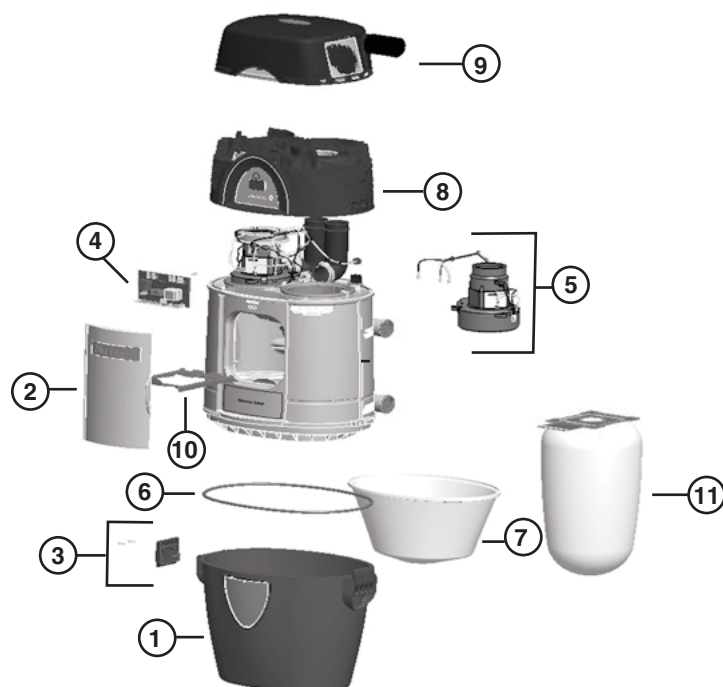
No se debe utilizar ningún adaptador con este equipo.

⚠ ADVERTENCIA

La conexión incorrecta del conductor de conexión a tierra del equipo puede crear un riesgo de choque eléctrico. Verifique con un electricista calificado o con el personal de servicio si tiene dudas sobre si el tomacorriente está debidamente conectado a tierra. No modifique el enchufe macho provisto con el equipo; si no entra en el tomacorriente (enchufe hembra), haga que un electricista calificado instale un tomacorriente correcto.



PIEZAS DE SERVICIO



N.º	N.º de pieza	Descripción	VX475	VX550	VX1000	VX475C	VX550C	VX1000C
1	10941189	Conjunto del balde VS	X			X		
	10941191	Conjunto del balde TS						X
2	10941190	Puerta	X	X	X	X	X	X
3	10941199	Pestillo (con tornillos)	X	X	X	X	X	X
4	10941232	Conjunto de circuito impreso VS (placa matriz, placa secundaria y tornillos incluidos)*	X			X		
	10941233	Conjunto de circuito impreso TS1 (placa matriz, placa secundaria y tornillos incluidos)*		X			X	
	10941195	Conjunto de circuito impreso TS2 (placa matriz, placa secundaria y tornillos incluidos)*			X			X
5	10941235	Motor VS con haz de hilos, fusible con haz de hilos del fusible y interruptor*	X			X		
	10941236	Motor TS1 con haz de hilos, fusible con haz de hilos del fusible y interruptor*		X			X	
	10941231	Motor TS2 con haz de hilos, fusible con haz de hilos del fusible y interruptor*			X			X
6	30100528	Junta del balde TS		X	X		X	X
	30100527	Junta del balde VS	X			X		
7	30010272	Filtro ciclónico VS				X		
	30010270	Filtro ciclónico TS					X	X
8	10941215	Caja del motor VS con goma espuma y logotipo*	X			X		
	10941216	Caja del motor TS con goma espuma y logotipo*		X	X		X	X
9	10941212	Tapa superior VS con logotipo	X			X		
	10941214	Tapa superior TS con logotipo		X	X		X	X
10	30111112	Cavidad de la bolsa	X	X	X			
11	VX3918	Filtro de la bolsa TS (3 por paquete)		X	X			
	VX3916	Filtro de la bolsa VS	X					

NOTA: Para hacer pedidos, utilice el número de pieza.

*Esta pieza DEBE ser desmontada e instalada por un técnico calificado.

Para los Modelos VX475 & VX475C

NuTone

Garantía Limitada de Dos Años

GARANTÍA DEL PROPIETARIO: NuTone garantiza al consumidor comprador original de sus productos, por un período de dos (2) años desde la fecha original de compra, que tales productos están libres de defectos en materiales y mano de obra. **NO HAY OTRAS GARANTÍAS, EXPRESADAS O SOBREENTENDIDAS, INCLUYENDO, PERO NO LIMITADAS A, GARANTÍAS NO EXPRESADAS DE MERCANTIBILIDAD O ADAPTABLES A UN PROPÓSITO EN PARTICULAR.**

Durante el período de dos años, NuTone reparará o reemplazará, a su opción y sin costo, cualquier producto o parta que se encuentre defectuoso bajo condiciones normales de servicio y uso. **ESTA GARANTÍA NO CUBRE A LOS ARRANCADORES PARA LÁMPARAS FLUORESCENTES O A LOS TUBOS FLUORESCENTES, FILTROS, DUCTOS, TAPAS DE PARED Y OTROS ACCESORIOS PARA CANALIZACIÓN. ESTA GARANTÍA NO CUBRE (A) MANTENIMIENTO Y SERVICIOS NORMALES O (B) PRODUCTOS O PARTES SUJETOS AL MAL USO, NEGLIGENCIA, ACCIDENTE, MANTENIMIENTO INADECUADO O REPARACIONES (POR OTRAS COMPAÑÍAS QUE SEA NuTONE), INSTALACIÓN DEFECTUOSA, O INSTALACIÓN NO CONFORME A LAS INSTRUCCIONES DE INSTALACIÓN RECOMENDADAS.**

La duración de cualquier garantía implícita se limita a un período de dos años como se especifica en la garantía expresada. Algunos estados no permiten limitaciones en cuanto al tiempo de expiración de una garantía implícita, por lo que la limitación antes mencionada puede no aplicarse a usted.

LA OBLIGACIÓN DE NuTONE DE REPARAR O REEMPLAZAR, SIGUIENDO EL CRITERIO DE NuTONE DEBERÁ SER EL ÚNICO Y EXCLUSIVO RECURSO LEGAL DEL COMPRADOR BAJO ESTA GARANTÍA. NuTONE NO SERÁ RESPONSABLE POR DAÑOS INCIDENTALES, CONSIGUIENTES, O POR DAÑOS ESPECIALES SURGIDOS O EN CONEXIÓN CON EL USO O EL RENDIMIENTO DEL PRODUCTO. Algunos estados no permiten la exclusión o limitación de daños incidentales o consiguientes, por lo que la limitación antes mencionada puede no aplicarse a usted. Esta garantía le proporciona derechos legales específicos, y usted puede también tener otros derechos, los cuales varían de estado a estado. Esta garantía reemplaza todas las garantías anteriores.

Para calificar en el servicio de garantía, usted debe (a) notificar a NuTone al domicilio o teléfono que menciona abajo, (b) indicar el número del modelo y la identificación de la pieza y (c) describir la naturaleza de cualquier defecto en el producto o pieza. Al momento de solicitar servicio cubierto por la garantía, usted debe presentar evidencia de la fecha original de la compra.

Fecha de instalación Constructora o instalada

N.º de modelo y descripción del producto

SI NECESITA ASISTENCIA O SERIVIVIO: Para obtener la localización del Centro de Servicio Autorizado: Rev. 06/2009

Los residentes de los Estados unidos contiguos llamadas gratis al: **1-800-543-8687**

Por favor, esté preparado para proporcionar: • Modelo de producto • Fecha y prueba de compra • La naturaleza de la dificultad

Los residentes de Alaska o Hawai deben escribir a: NuTone Inc. Attn: Department of National Field Service, 926 West State Street, Hartford, WI 53027

Para los Modelos VX550 & VX550C

NuTone

Garantía Limitada de Cuatro Años

GARANTÍA DEL PROPIETARIO: NuTone garantiza al consumidor comprador original de sus productos, por un período de cuatro (4) años desde la fecha original de compra, que tales productos están libres de defectos en materiales y mano de obra. **NO HAY OTRAS GARANTÍAS, EXPRESADAS O SOBREENTENDIDAS, INCLUYENDO, PERO NO LIMITADAS A, GARANTÍAS NO EXPRESADAS DE MERCANTIBILIDAD O ADAPTABLES A UN PROPÓSITO EN PARTICULAR.**

Durante el período de cuatro años, NuTone reparará o reemplazará, a su opción y sin costo, cualquier producto o parta que se encuentre defectuoso bajo condiciones normales de servicio y uso. **ESTA GARANTÍA NO CUBRE A LOS ARRANCADORES PARA LÁMPARAS FLUORESCENTES O A LOS TUBOS FLUORESCENTES, FILTROS, DUCTOS, TAPAS DE PARED Y OTROS ACCESORIOS PARA CANALIZACIÓN. ESTA GARANTÍA NO CUBRE (A) MANTENIMIENTO Y SERVICIOS NORMALES O (B) PRODUCTOS O PARTES SUJETOS AL MAL USO, NEGLIGENCIA, ACCIDENTE, MANTENIMIENTO INADECUADO O REPARACIONES (POR OTRAS COMPAÑÍAS QUE SEA NuTONE), INSTALACIÓN DEFECTUOSA, O INSTALACIÓN NO CONFORME A LAS INSTRUCCIONES DE INSTALACIÓN RECOMENDADAS.**

La duración de cualquier garantía implícita se limita a un período de cuatro años como se especifica en la garantía expresada. Algunos estados no permiten limitaciones en cuanto al tiempo de expiración de una garantía implícita, por lo que la limitación antes mencionada puede no aplicarse a usted.

LA OBLIGACIÓN DE NuTONE DE REPARAR O REEMPLAZAR, SIGUIENDO EL CRITERIO DE NuTONE DEBERÁ SER EL ÚNICO Y EXCLUSIVO RECURSO LEGAL DEL COMPRADOR BAJO ESTA GARANTÍA. NuTONE NO SERÁ RESPONSABLE POR DAÑOS INCIDENTALES, CONSIGUIENTES, O POR DAÑOS ESPECIALES SURGIDOS O EN CONEXIÓN CON EL USO O EL RENDIMIENTO DEL PRODUCTO. Algunos estados no permiten la exclusión o limitación de daños incidentales o consiguientes, por lo que la limitación antes mencionada puede no aplicarse a usted. Esta garantía le proporciona derechos legales específicos, y usted puede también tener otros derechos, los cuales varían de estado a estado. Esta garantía reemplaza todas las garantías anteriores.

Para calificar en el servicio de garantía, usted debe (a) notificar a NuTone al domicilio o teléfono que menciona abajo, (b) indicar el número del modelo y la identificación de la pieza y (c) describir la naturaleza de cualquier defecto en el producto o pieza. Al momento de solicitar servicio cubierto por la garantía, usted debe presentar evidencia de la fecha original de la compra.

Fecha de instalación Constructora o instalada

N.º de modelo y descripción del producto

SI NECESITA ASISTENCIA O SERIVIVIO: Para obtener la localización del Centro de Servicio Autorizado: Rev. 06/2009

Los residentes de los Estados unidos contiguos llamadas gratis al: **1-800-543-8687**

Por favor, esté preparado para proporcionar: • Modelo de producto • Fecha y prueba de compra • La naturaleza de la dificultad

Los residentes de Alaska o Hawai deben escribir a: NuTone Inc. Attn: Department of National Field Service, 926 West State Street, Hartford, WI 53027

Para los Modelos VX1000 & VX1000C

NuTone

Garantía Limitada de Ocho Años

GARANTÍA DEL PROPIETARIO: NuTone garantiza al consumidor comprador original de sus productos, por un período de ocho (8) años desde la fecha original de compra, que tales productos están libres de defectos en materiales y mano de obra. **NO HAY OTRAS GARANTÍAS, EXPRESADAS O SOBREENTENDIDAS, INCLUYENDO, PERO NO LIMITADAS A, GARANTÍAS NO EXPRESADAS DE MERCANTIBILIDAD O ADAPTABLES A UN PROPÓSITO EN PARTICULAR.**

Durante el período de ocho años, NuTone reparará o reemplazará, a su opción y sin costo, cualquier producto o parta que se encuentre defectuoso bajo condiciones normales de servicio y uso. **ESTA GARANTÍA NO CUBRE A LOS ARRANCADORES PARA LÁMPARAS FLUORESCENTES O A LOS TUBOS FLUORESCENTES, FILTROS, DUCTOS, TAPAS DE PARED Y OTROS ACCESORIOS PARA CANALIZACIÓN. ESTA GARANTÍA NO CUBRE (A) MANTENIMIENTO Y SERVICIOS NORMALES O (B) PRODUCTOS O PARTES SUJETOS AL MAL USO, NEGLIGENCIA, ACCIDENTE, MANTENIMIENTO INADECUADO O REPARACIONES (POR OTRAS COMPAÑÍAS QUE SEA NuTONE), INSTALACIÓN DEFECTUOSA, O INSTALACIÓN NO CONFORME A LAS INSTRUCCIONES DE INSTALACIÓN RECOMENDADAS.**

La duración de cualquier garantía implícita se limita a un período de ocho años como se especifica en la garantía expresada. Algunos estados no permiten limitaciones en cuanto al tiempo de expiración de una garantía implícita, por lo que la limitación antes mencionada puede no aplicarse a usted.

LA OBLIGACIÓN DE NuTONE DE REPARAR O REEMPLAZAR, SIGUIENDO EL CRITERIO DE NuTONE DEBERÁ SER EL ÚNICO Y EXCLUSIVO RECURSO LEGAL DEL COMPRADOR BAJO ESTA GARANTÍA. NuTONE NO SERÁ RESPONSABLE POR DAÑOS INCIDENTALES, CONSIGUIENTES, O POR DAÑOS ESPECIALES SURGIDOS O EN CONEXIÓN CON EL USO O EL RENDIMIENTO DEL PRODUCTO. Algunos estados no permiten la exclusión o limitación de daños incidentales o consiguientes, por lo que la limitación antes mencionada puede no aplicarse a usted. Esta garantía le proporciona derechos legales específicos, y usted puede también tener otros derechos, los cuales varían de estado a estado. Esta garantía reemplaza todas las garantías anteriores.

Para calificar en el servicio de garantía, usted debe (a) notificar a NuTone al domicilio o teléfono que menciona abajo, (b) indicar el número del modelo y la identificación de la pieza y (c) describir la naturaleza de cualquier defecto en el producto o pieza. Al momento de solicitar servicio cubierto por la garantía, usted debe presentar evidencia de la fecha original de la compra.

Fecha de instalación Constructora o instalada

N.º de modelo y descripción del producto

SI NECESITA ASISTENCIA O SERIVIVIO: Para obtener la localización del Centro de Servicio Autorizado: Rev. 06/2009

Los residentes de los Estados unidos contiguos llamadas gratis al: **1-800-543-8687**

Por favor, esté preparado para proporcionar: • Modelo de producto • Fecha y prueba de compra • La naturaleza de la dificultad

Los residentes de Alaska o Hawai deben escribir a: NuTone Inc. Attn: Department of National Field Service, 926 West State Street, Hartford, WI 53027



NuTone®

926 WEST STATE STREET, HARTFORD, WI 53027

WWW.NUTONE.COM

GARANTÍA

Todas las unidades de alimentación de los VX están cubiertas con una garantía NuTone de 2, 4 u 8 años. Para saber la garantía que tiene, consulte su número de modelo. Herramientas y accesorios garantizados un año desde la fecha de compra. Vea la página 13 para mayor información.

Características técnicas del producto sujetas a cambio sin aviso previo.